



# CHANTLAND

M H S

Material Handling Solutions

*Since  
1943*

## BAG TRANSFER

### 4208 BELT CONVEYOR



Heavy duty conveyor designed to receive and transfer filled bags from valve bag filler. Optional deck provides convenient and ergonomic operator position for manually placing bags on filler spouts.

# SOLUTIONS

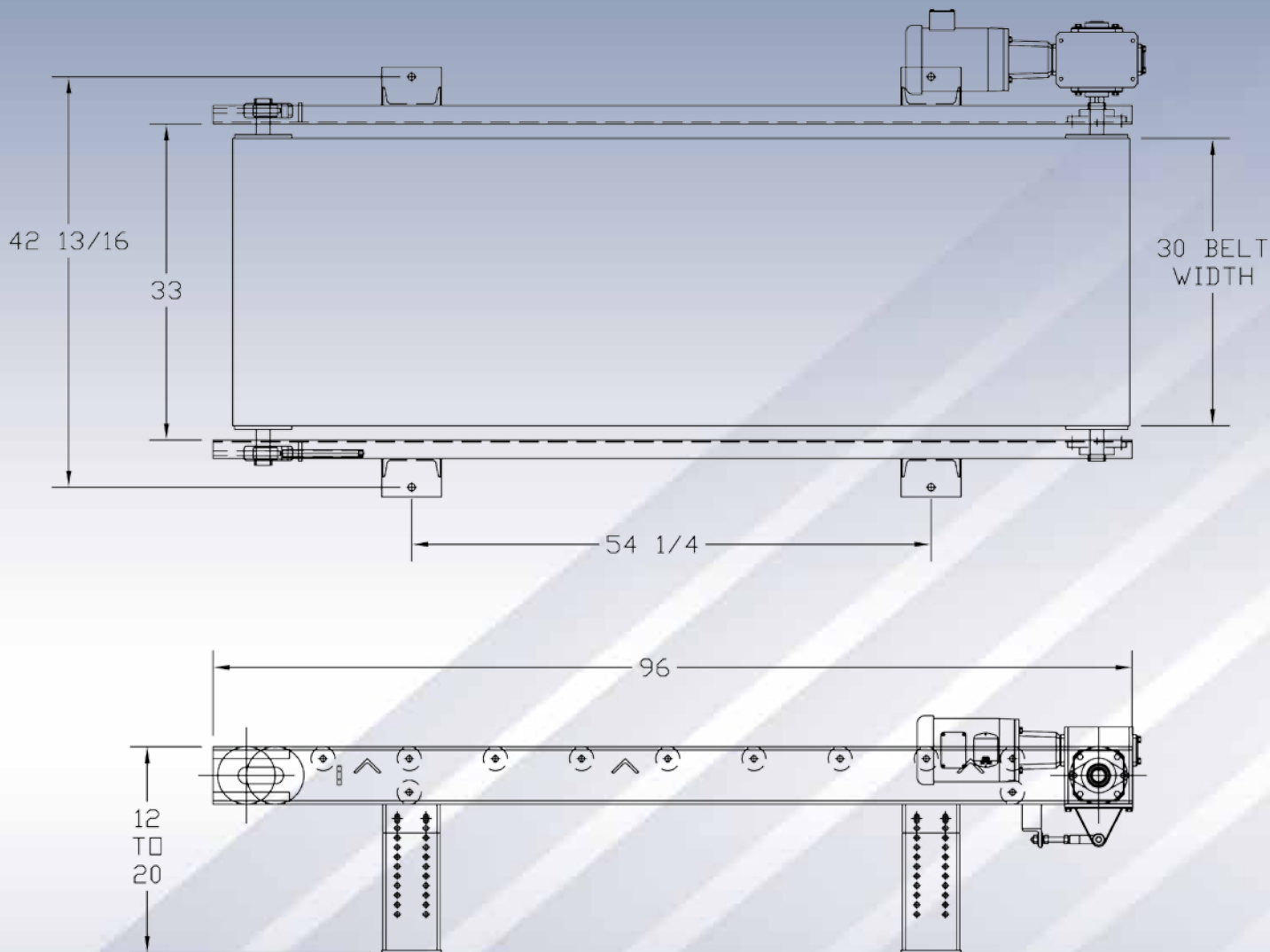
[WWW.CHANTLAND.COM](http://WWW.CHANTLAND.COM)

BAG FILLERS + CONVEYERS + PALLETIZERS + SYSTEMS



# BAG TRANSFER

## 4208 BELT CONVEYOR



### DESIGN FEATURES:

- ✦ 30" wide PVC conveyor belt.
- ✦ 8' overall standard conveyor length.
- ✦ 75 FPM standard belt speed.
- ✦ Supports adjustable for 12"-20" top of belt height.
- ✦ NEMA 12 electrical controls: 230/460 V., 60 Hz., 3 Ph.
- ✦ Structural channel mild steel roller bed conveyor frame.
- ✦ Industrial enamel finish.

### AVAILABLE FEATURES:

- ✦ 1" x 1" galvanized wire mesh belt.
- ✦ Operator deck.
- ✦ Lengths and widths to meet specific applications.
- ✦ Variable speed controls.
- ✦ Wash down, corrosive and explosion proof electrical packages.
- ✦ Stainless steel construction.
- ✦ Special finish coatings.

BAG FILLERS

CONVEYORS

PALLETIZERS

SYSTEMS

PO Box 279, Humboldt, Iowa, U.S.A. 50548 / Ph. 515.332.4045 Fax 515.332.1502

[www.chantland.com](http://www.chantland.com)